



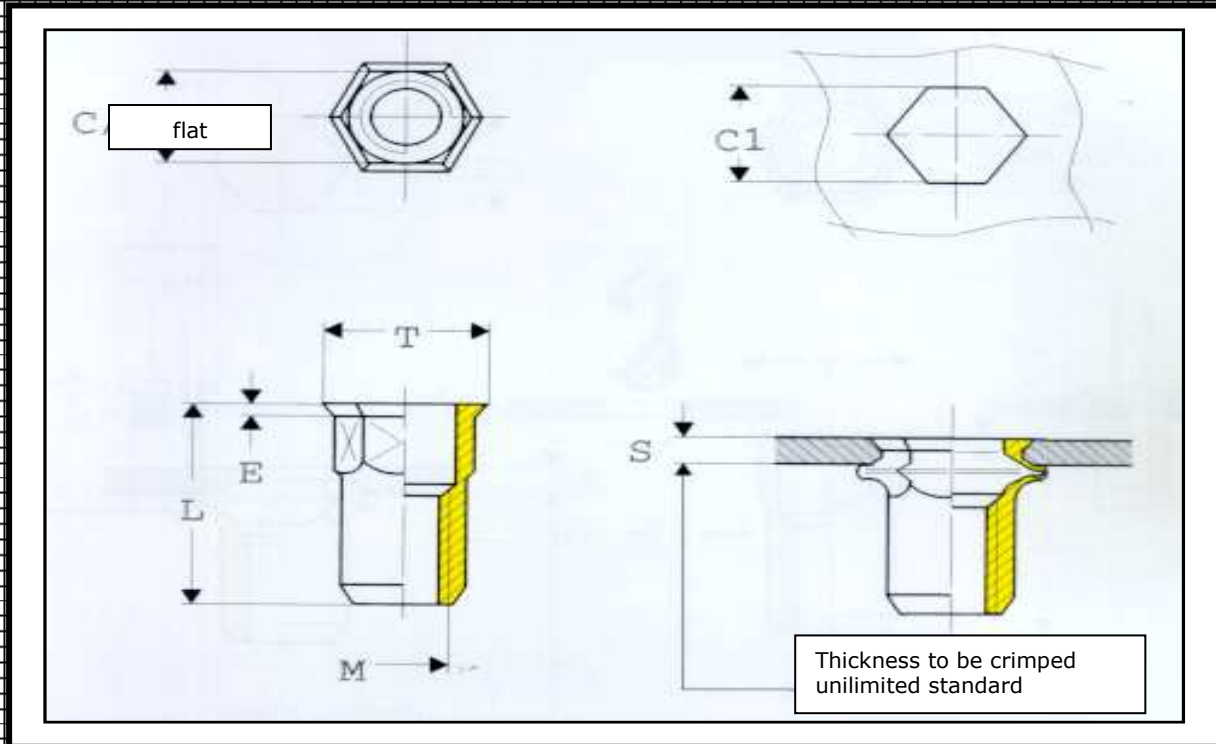
TECHNICAL DATA

THIS DOCUMENT IS NOT CONTRACTUAL

31/SHFRX

COLD-FORMED SERBLOC STAINLESS STEEL HEXAGONAL FLUSH HEAD

6 rue Nationale 92100 BOULOGNE-BILLANCOURT Tél : 01 46 21 05 32 Fax : 01 46 21 00 76



STAINLESS STEEL



M	Part reference	C/flat	E	Grip range in mm		T	L
				C1	S		
4	SH4FRX	6,0	0,5	6,1	0,5 to 2,5	7	11,0
5	SH5FRX	7,0	0,5	7,1	0,5 to 3,0	8	12,0
6	SH6FRX	9,0	0,5	9,1	0,5 to 3,0	10	14,0
8	SH8FRX	11,0	0,5	11,1	0,5 to 3,0	12	16,0
10	SH10FRX	13,0	0,7	13,1	1,0 to 3,5	14,2	19,0