

# TECHNICAL DATA

THIS DOCUMENT IS NOT CONTRACTUAL

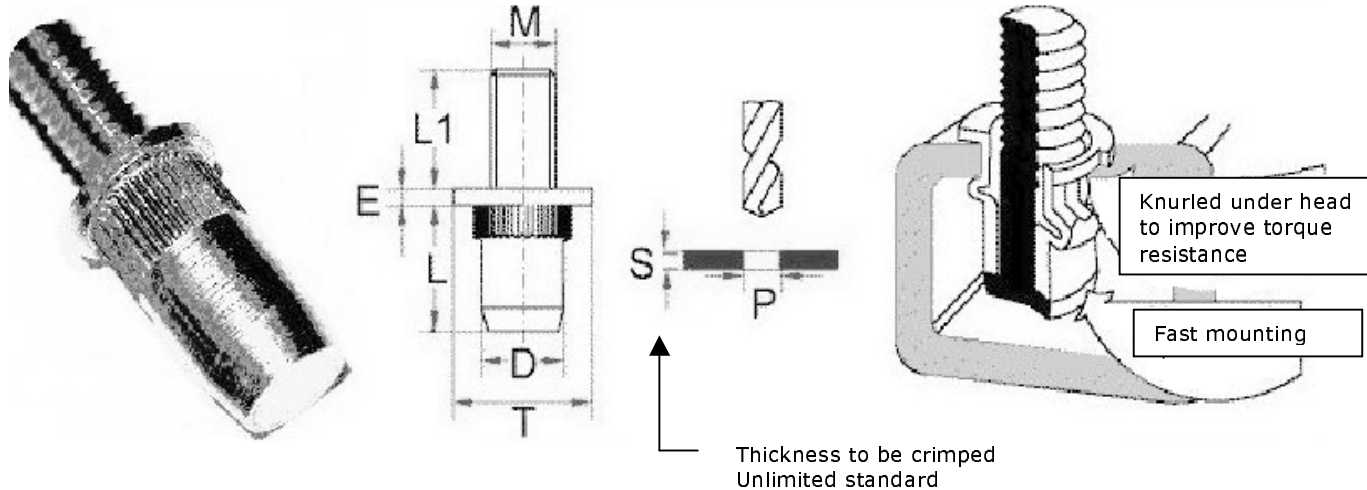
## SERBLOC STUD

### 31/GTP

6 rue Nationale 92100 BOULOGNE-BILLANCOURT

Tél : 01 46 21 05 32

Fax : 01 46 21 00 76



| Metric thread | Part n° STEEL | Part n° SS   | Grip range S | Body Ø D | Head dim E | Head Ø T | Length L | Hole size P | Stud L1 |
|---------------|---------------|--------------|--------------|----------|------------|----------|----------|-------------|---------|
| M4            | G4TP15 (L1)   | G4TP15 (L1)X | 0,5-1,5      | 6,0      | 1,0        | 8        | 15,0     | 6,1         | 10,0    |
| M4            | G4TP30 (L1)   | G4TP30 (L1)X | 1,5-3,0      | 6,0      | 1,0        | 8        | 16,5     | 6,1         | 12,0    |
| M4            | G4TP40 (L1)   | G4TP40 (L1)X | 3,0-4,0      | 6,0      | 1,0        | 8        | 18,0     | 6,1         | 15,0    |
| M5            | G5TP15 (L1)   | G5TP15 (L1)X | 0,5-1,5      | 7,0      | 1,0        | 9        | 17,0     | 7,1         | 10,0    |
| M5            | G5TP30 (L1)   | G5TP30 (L1)X | 1,5-3,0      | 7,0      | 1,0        | 9        | 18,5     | 7,1         | 12,0    |
| M5            | G5TP45 (L1)   | G5TP45 (L1)X | 3,0-4,5      | 7,0      | 1,0        | 9        | 20,0     | 7,1         | 15,0    |
| M6            | G6TP20 (L1)   | G6TP20 (L1)X | 1,0-2,0      | 9,0      | 1,0        | 11       | 20,0     | 9,1         | 10,0    |
| M6            | G6TP35 (L1)   | G6TP35 (L1)X | 2,0-3,5      | 9,0      | 1,0        | 11       | 21,5     | 9,1         | 15,0    |
| M6            | G6TP50 (L1)   | G6TP50 (L1)X | 3,5-5,0      | 9,0      | 1,0        | 11       | 23,0     | 9,1         | 15,0    |
| M8            | G8TP25 (L1)   | G8TP25 (L1)X | 1,0-2,5      | 11,0     | 1,5        | 14       | 21,0     | 11,1        | 10,0    |
| M8            | G8TP40 (L1)   | G8TP40 (L1)X | 2,5-4,0      | 11,0     | 1,5        | 14       | 22,5     | 11,1        | 15,0    |
| M8            | G8TP55 (L1)   | G8TP55 (L1)X | 4,0-5,5      | 11,0     | 1,5        | 14       | 24,0     | 11,1        | 20,0    |